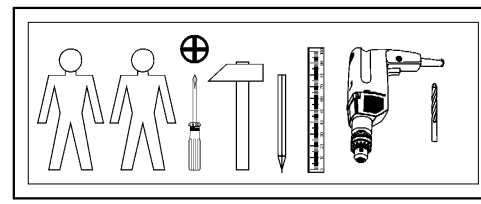
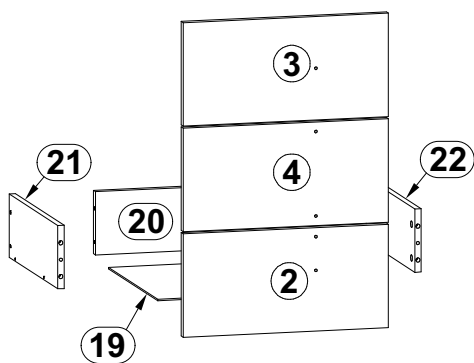
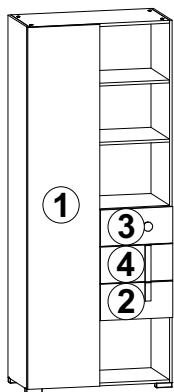
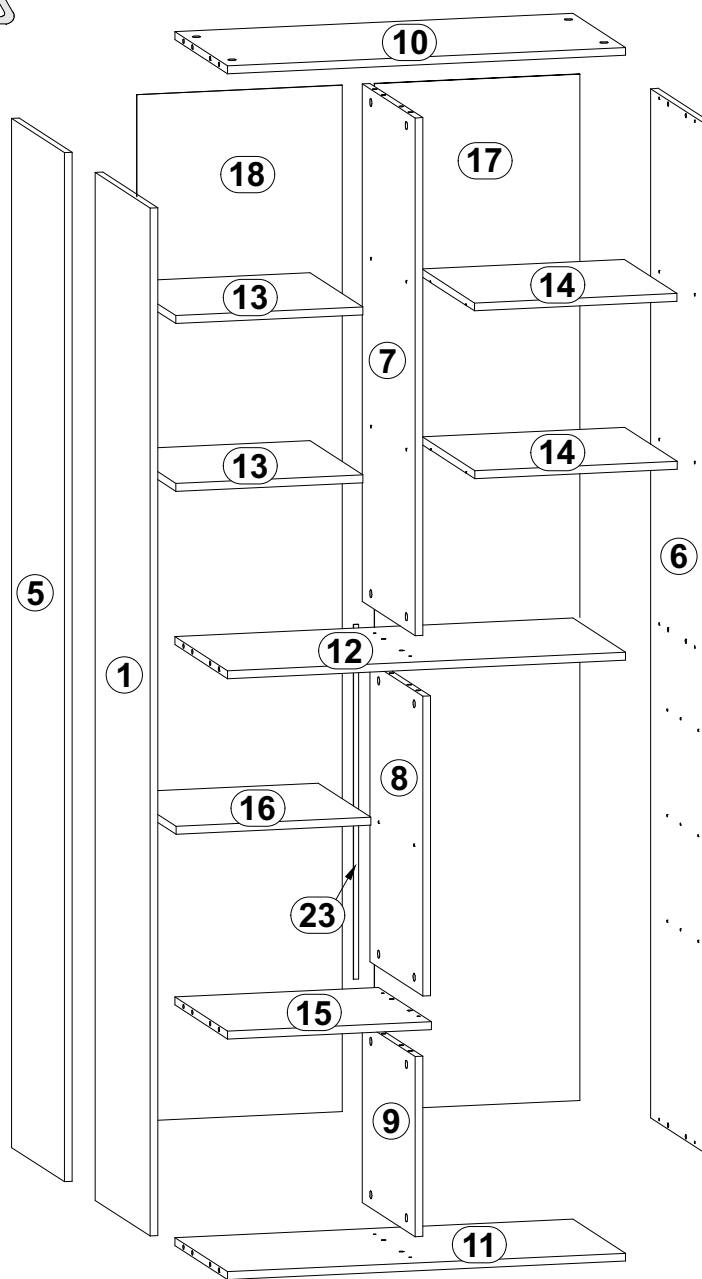
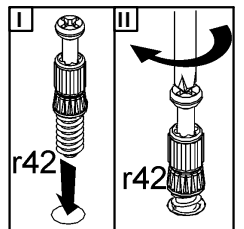
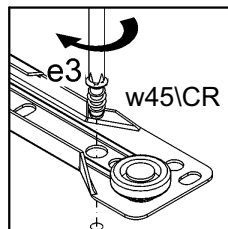
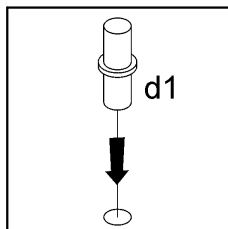
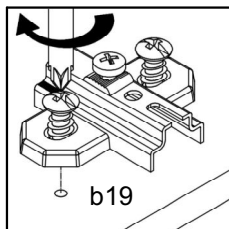
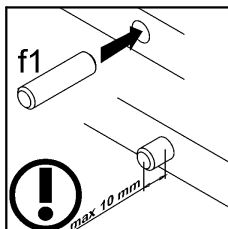
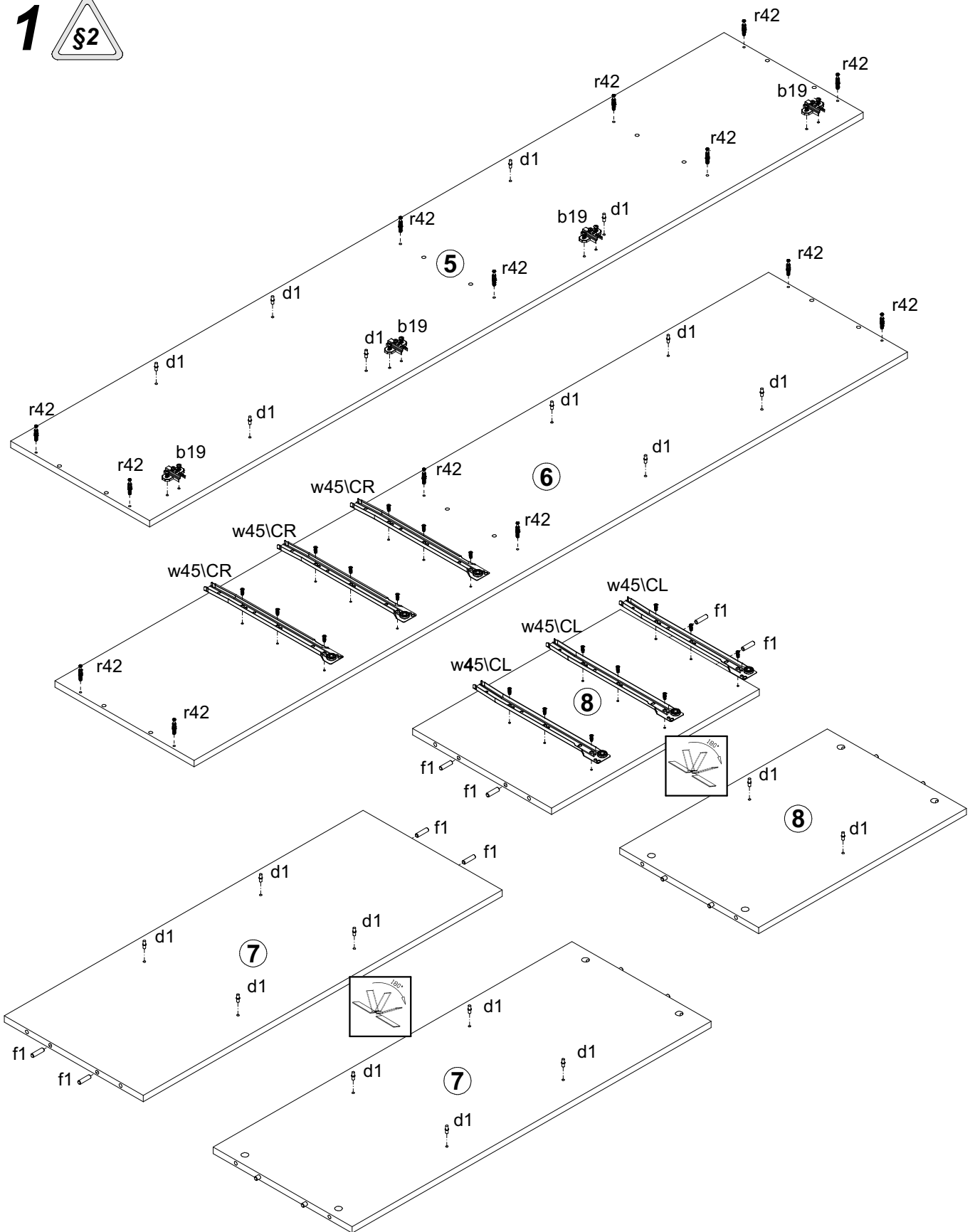


A	B	C	D
1	NI1-011	1948	396
2	NI1-012	396	196
3	NI1-013	396	196
4	NI1-014	396	196
5	NI1-119	1950	380
6	NI1-120	1950	380
7	NI1-121	981	380
8	NI1-124	566	380
9	NI1-125	338	380
10	NI1-316	768	380
11	NI1-317	768	380
12	NI1-319	768	380
13	NI1-320	359	375
14	NI1-321	393	375
15	NI1-322	392	380
16	NI1-323	375	375
17	NI1-1913	1945	413
18	NI1-1914	1945	381
19	NI1-914	334	349
20	NI1-5587	319	120
21	NI1-501	350	120
22	NI1-502	350	120
23	LH-565	565	

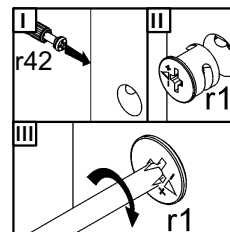
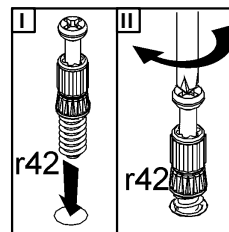
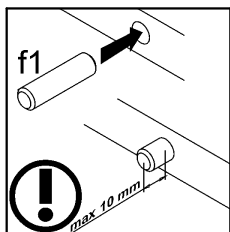
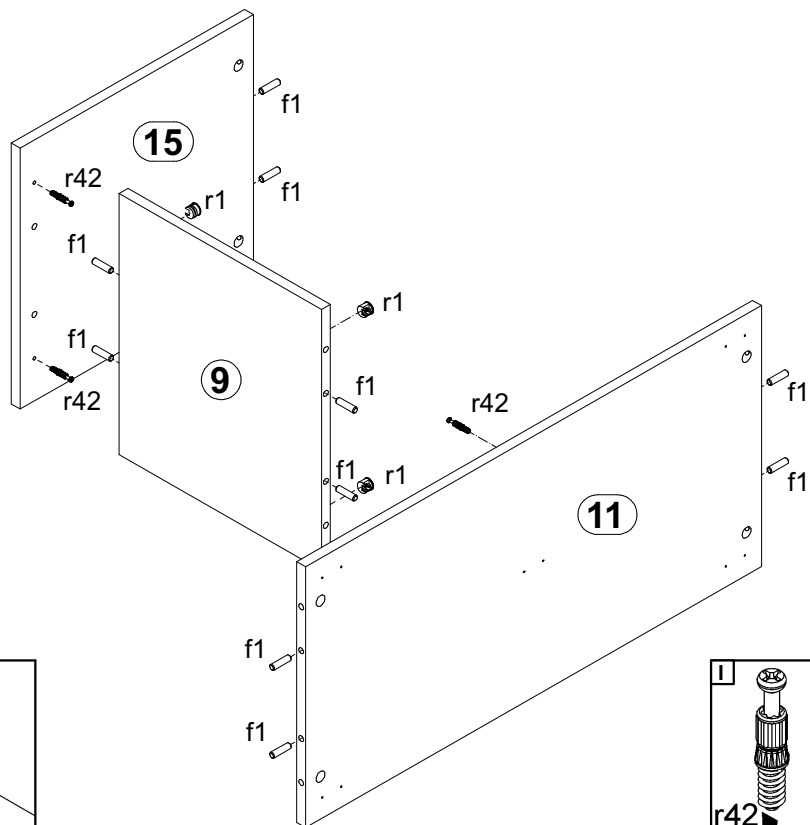


4x a44	4x b19	1x c391\1	1x c391\2 98mm	1x c391\3 196mm				
20x d1 φ5x17 mm	18x e3 φ6x13 mm	12x e32 φ5x50 mm	26x f1 φ8x30 mm	5x k77 84x40/25 mm				
10x p36 φ4x25 mm	1x p38 φ3,5x16 mm	8x p51 φ3,5x15 mm	12x p54 φ3x12 mm	10x p55 φ2,9x16 mm	5x p87 φ4x25 mm	38x r1 φ15x12mm #16	38x r42 20/11	
24x s2 φ16	3x w45\CL 350 mm	3x w45\CR 350 mm	3x w45\DL 350 mm	3x w45\DR 350 mm				

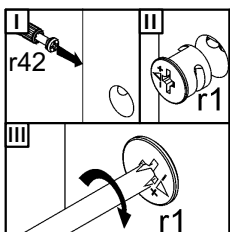
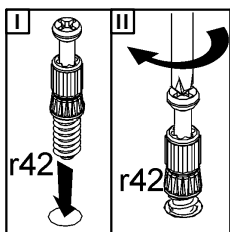
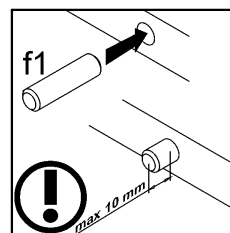
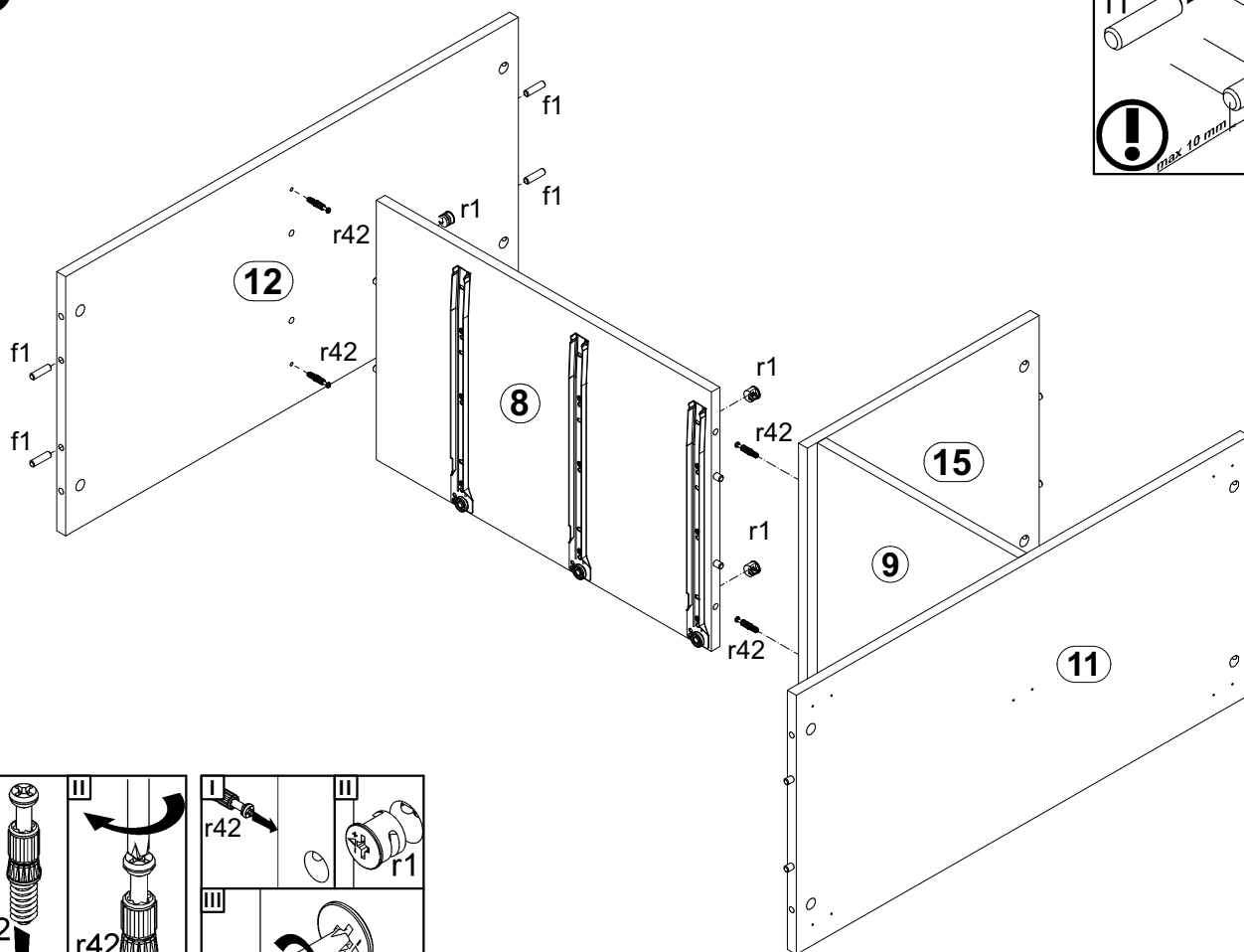
1

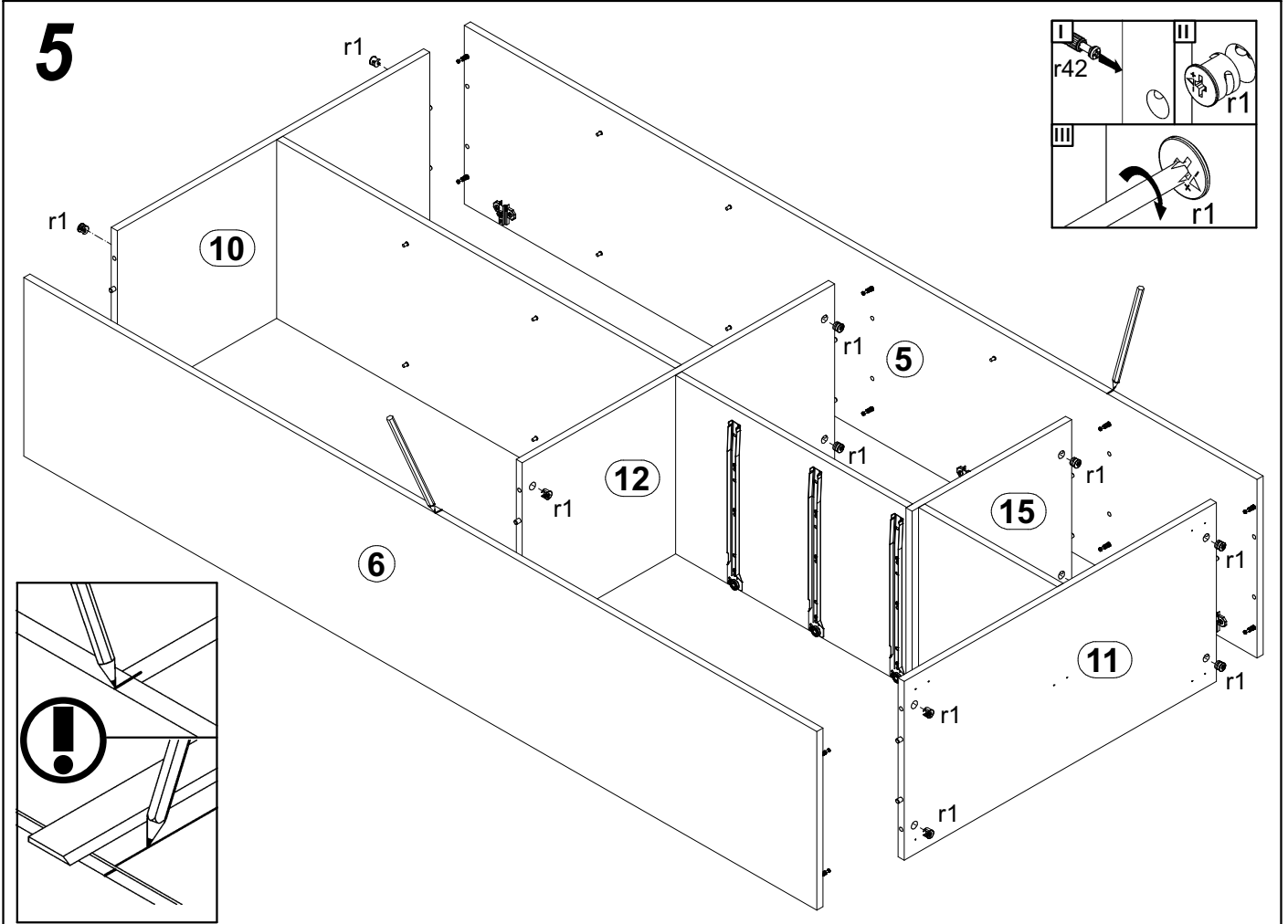
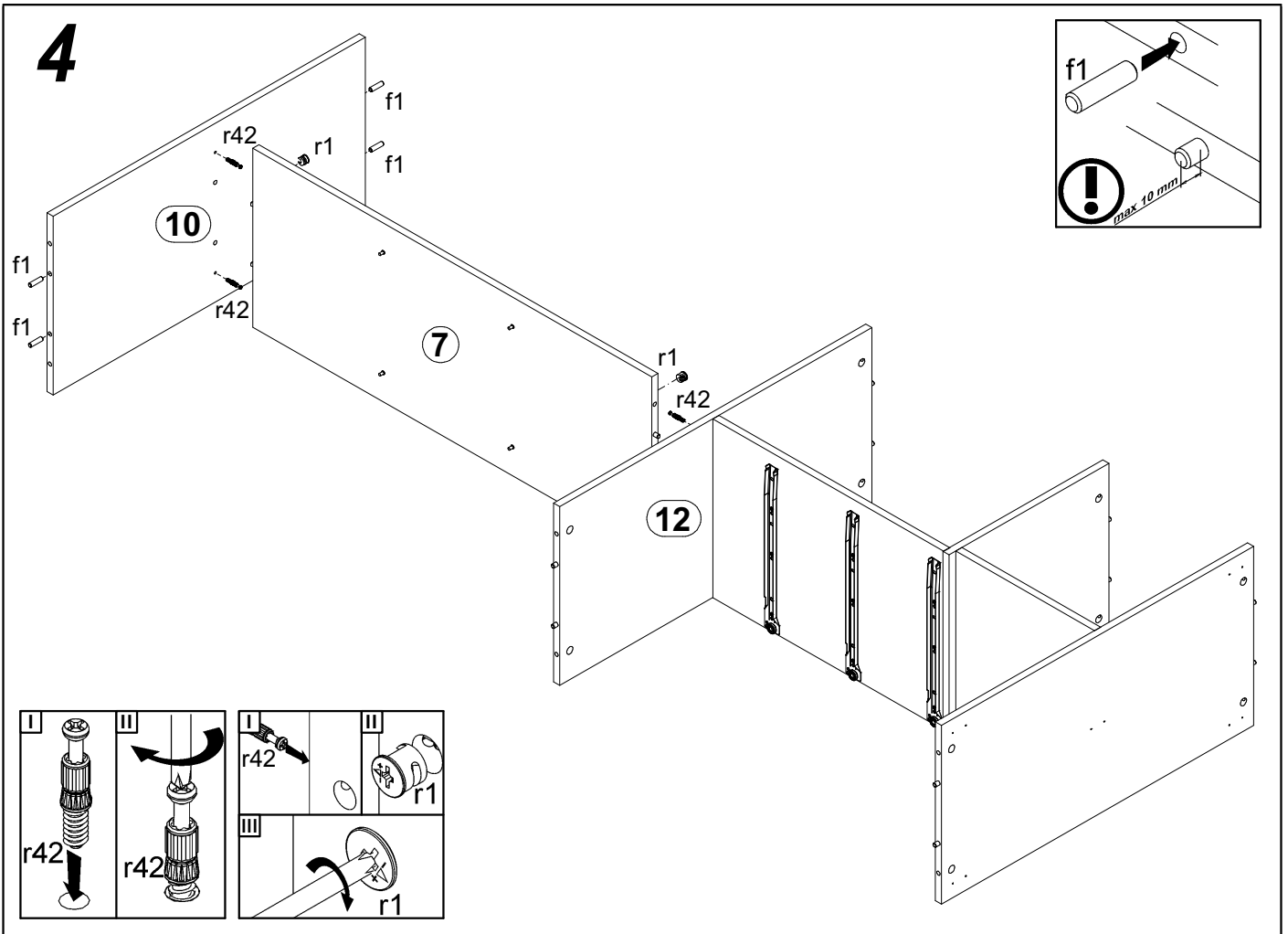


2

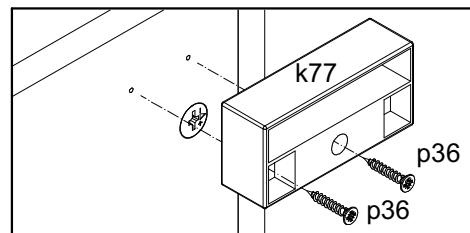
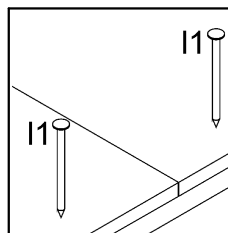
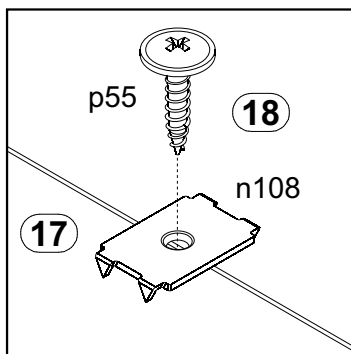
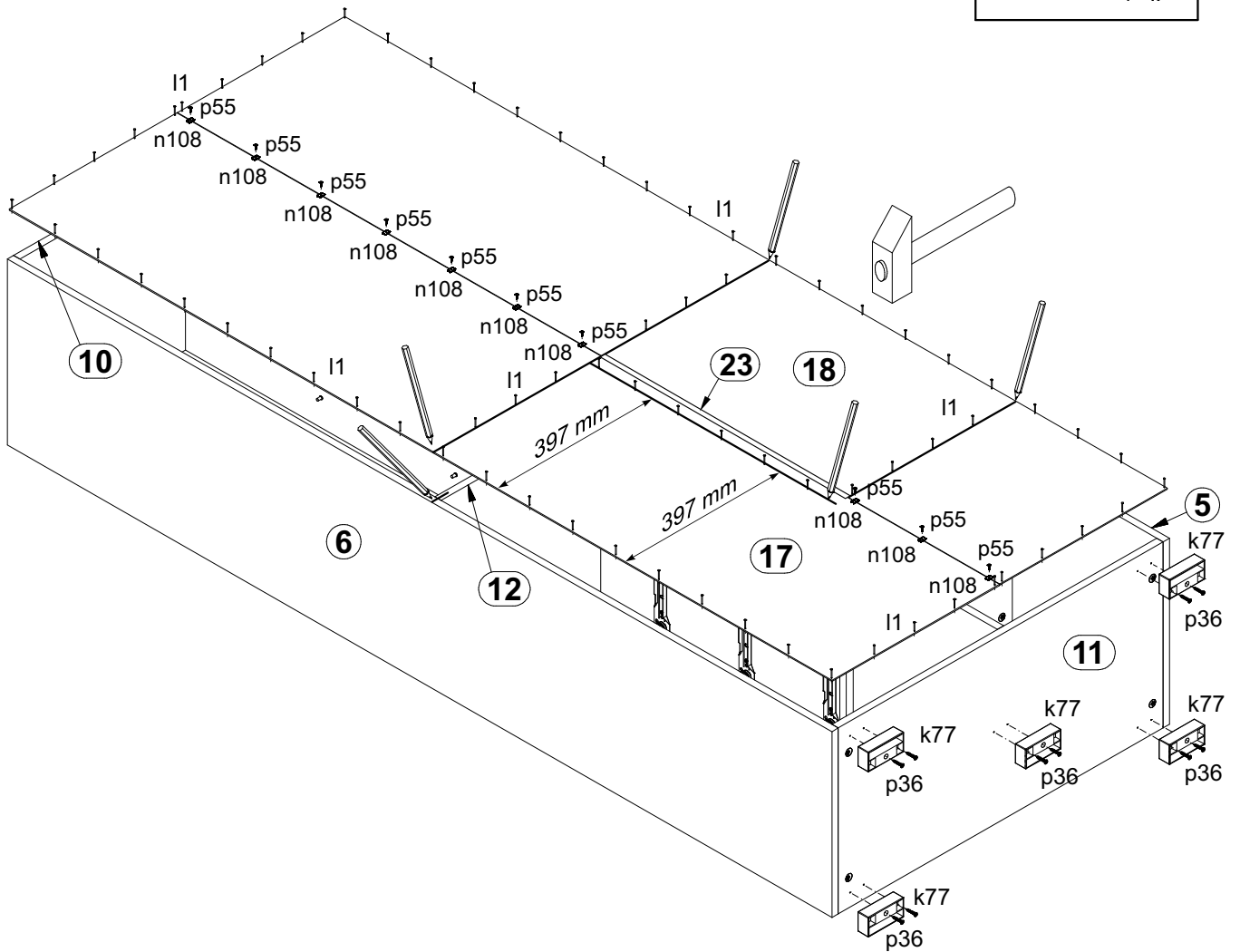
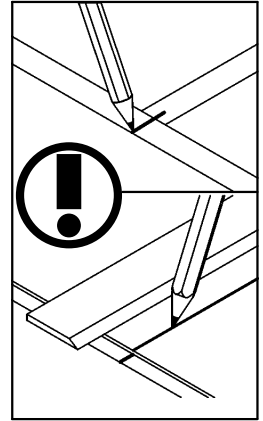
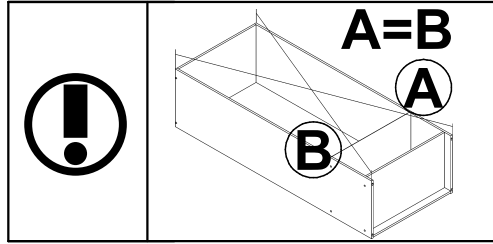


3



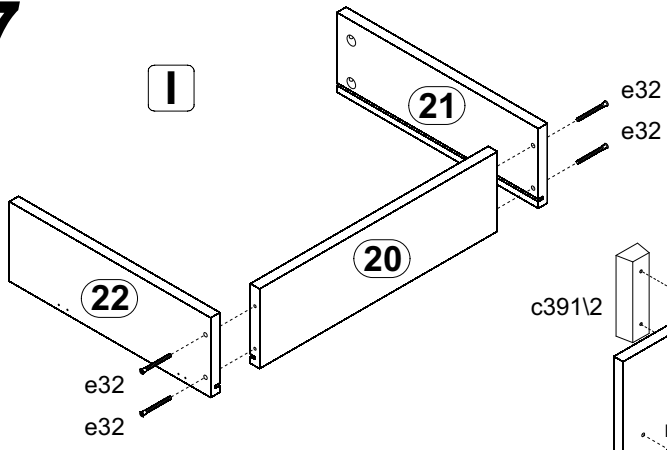


6

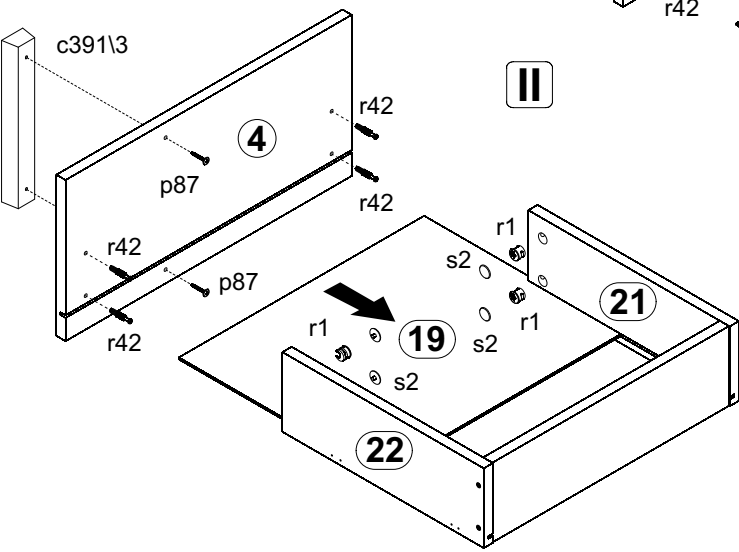


7

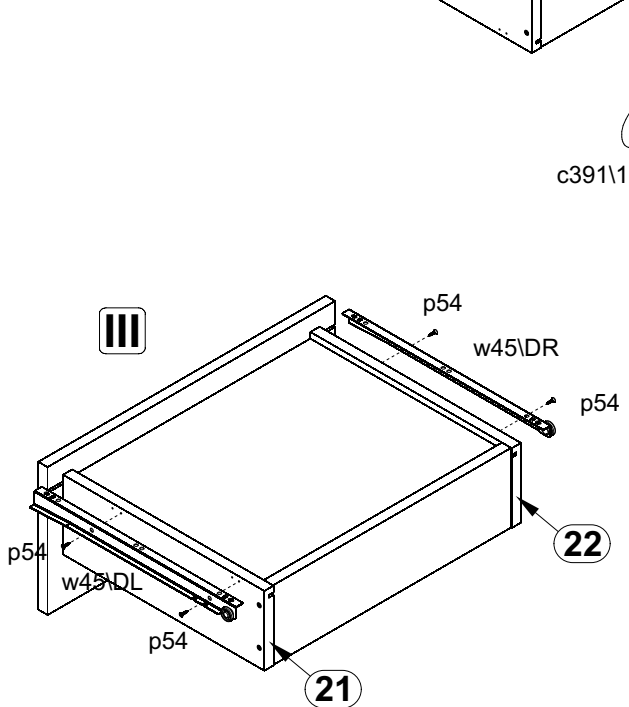
I



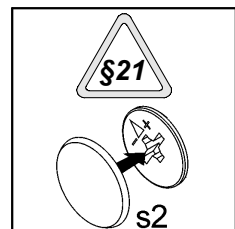
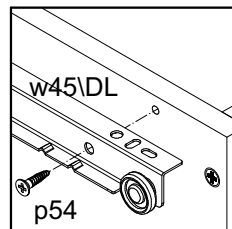
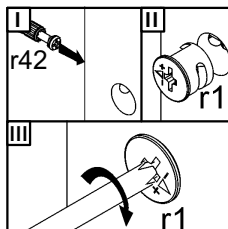
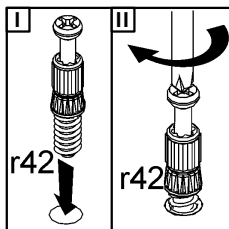
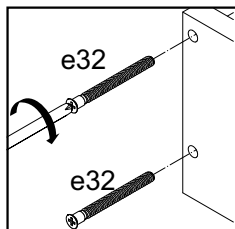
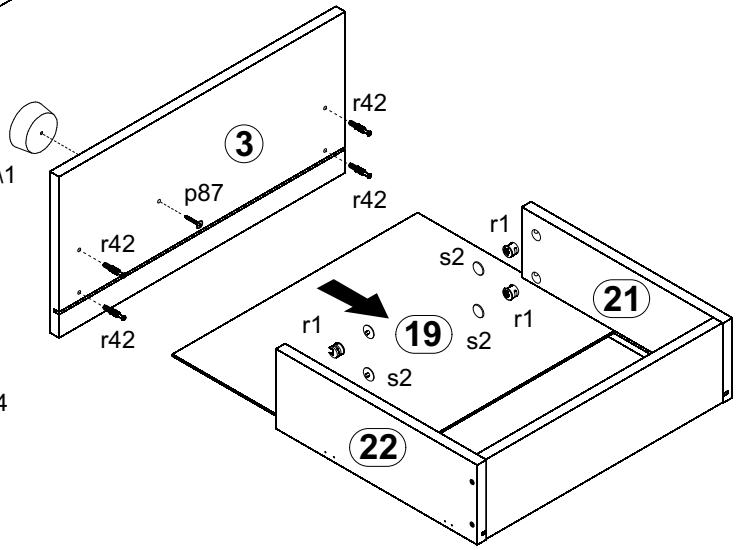
II



III



c391\1



8

